

GREENVILLE AWNING CO.

GHRC-300



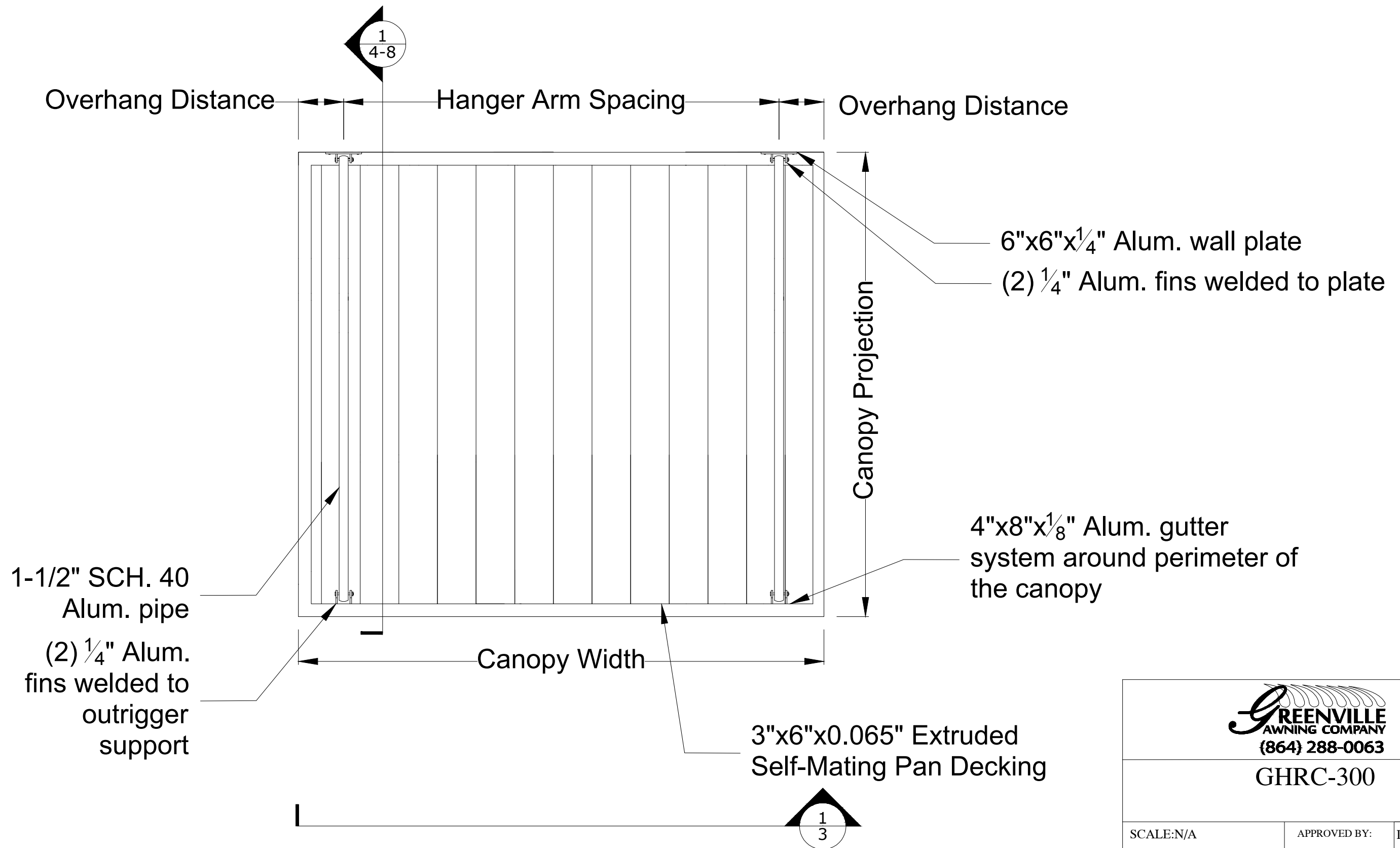
1/1 Canopy Isometric View



GHRC-300

SCALE:N/A	APPROVED BY:	DRAWN BY: ES
DATE: 4/23/19		REVISION:
FOR:		Drawing Number: 1 of 13

THESE DRAWINGS WERE PREPARED BY AND ARE THE SOLE PROPERTY OF GREENVILLE AWNING COMPANY. UNAUTHORIZED USE OR REPRODUCTIONS IS STRICTLY PROHIBITED. GREENVILLE AWNING COMPANY ©



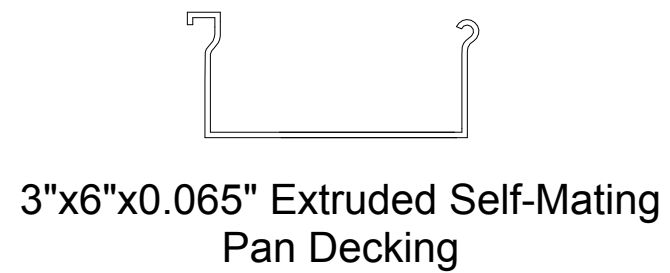
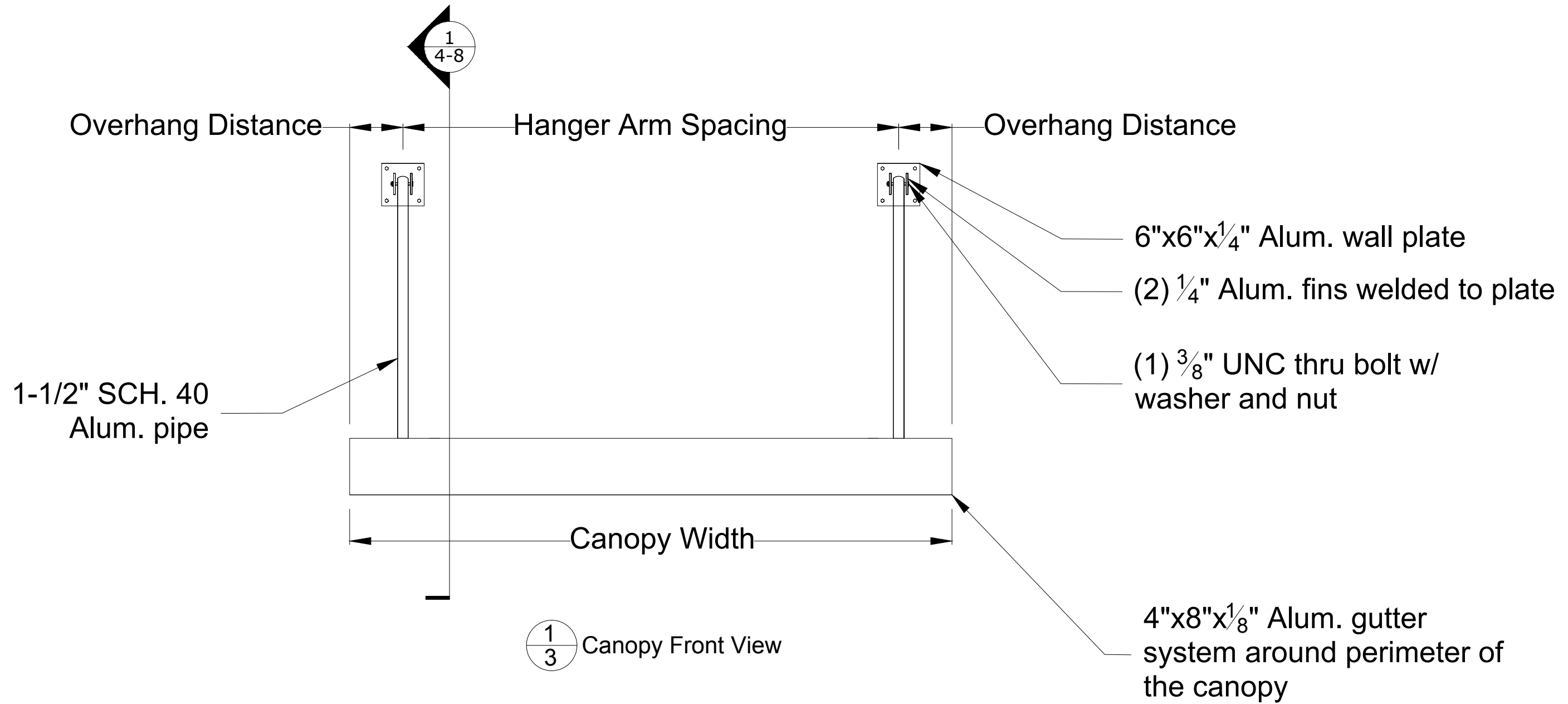
1
2 Canopy Plan View



GHRC-300

SCALE:N/A	APPROVED BY:	DRAWN BY: ES
DATE: 4/23/19		REVISION:
FOR:		Drawing Number: 2 of 13

THESE DRAWINGS WERE PREPARED BY AND ARE THE SOLE PROPERTY OF GREENVILLE AWNING COMPANY. UNAUTHORIZED USE OR REPRODUCTIONS IS STRICTLY PROHIBITED. GREENVILLE AWNING COMPANY ©



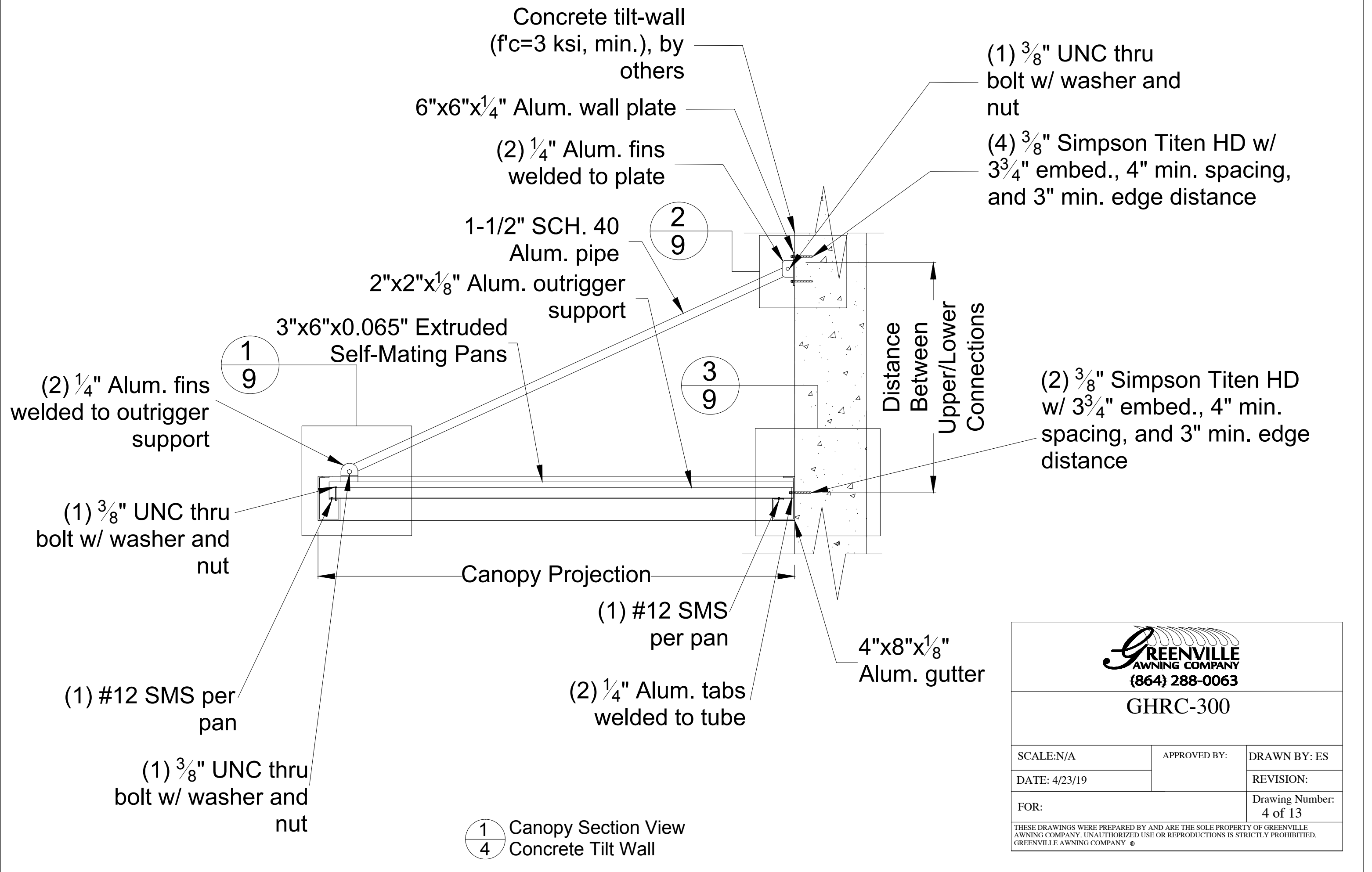
2
3 Decking Detail



GHRC-300

SCALE:N/A	APPROVED BY:	DRAWN BY: ES
DATE: 4/23/19		REVISION:
FOR:		Drawing Number: 3 of 13

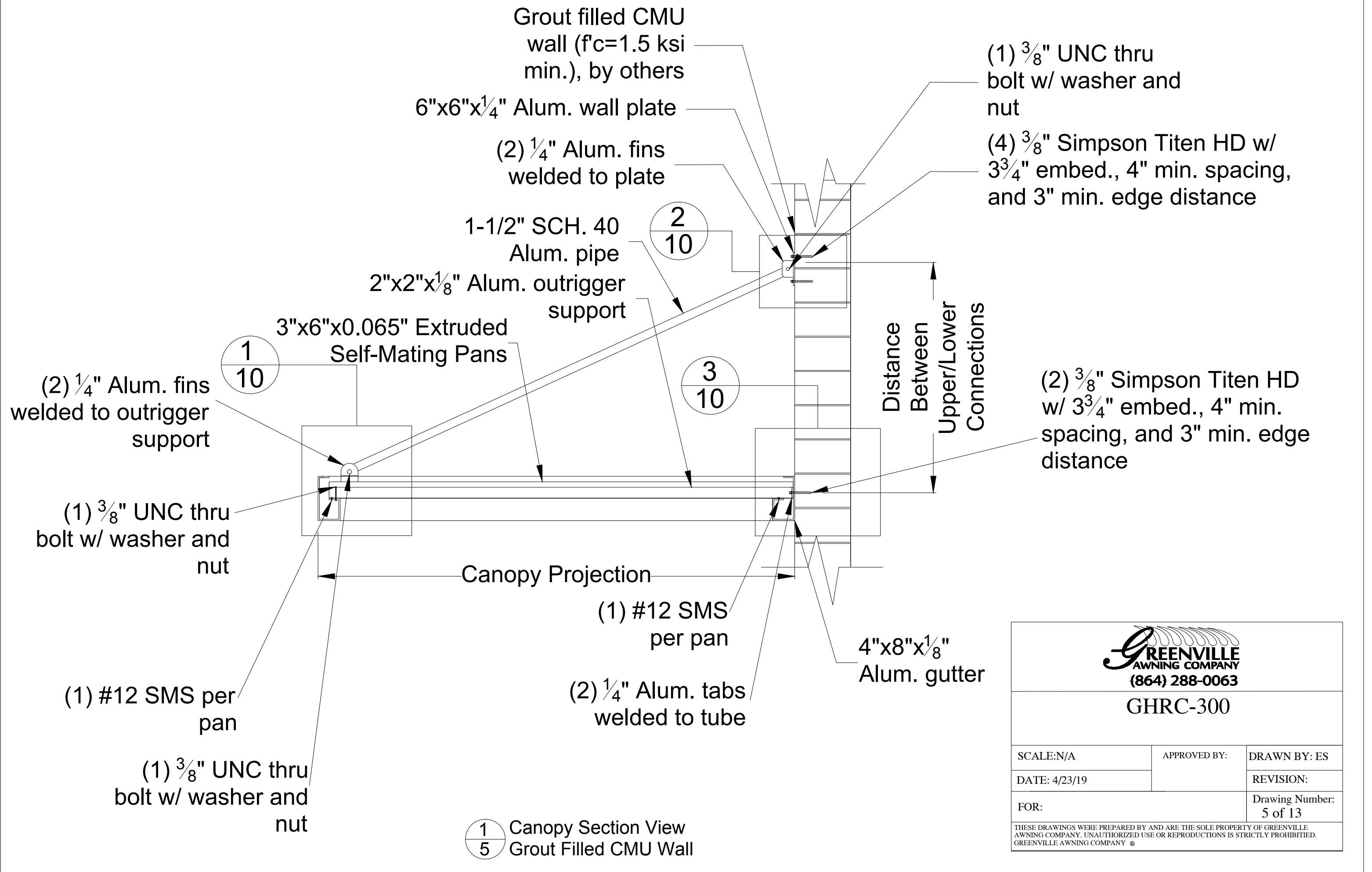
THESE DRAWINGS WERE PREPARED BY AND ARE THE SOLE PROPERTY OF GREENVILLE AWNING COMPANY. UNAUTHORIZED USE OR REPRODUCTIONS IS STRICTLY PROHIBITED. GREENVILLE AWNING COMPANY ©



GHRC-300

SCALE:N/A	APPROVED BY:	DRAWN BY: ES
DATE: 4/23/19		REVISION:
FOR:		Drawing Number: 4 of 13

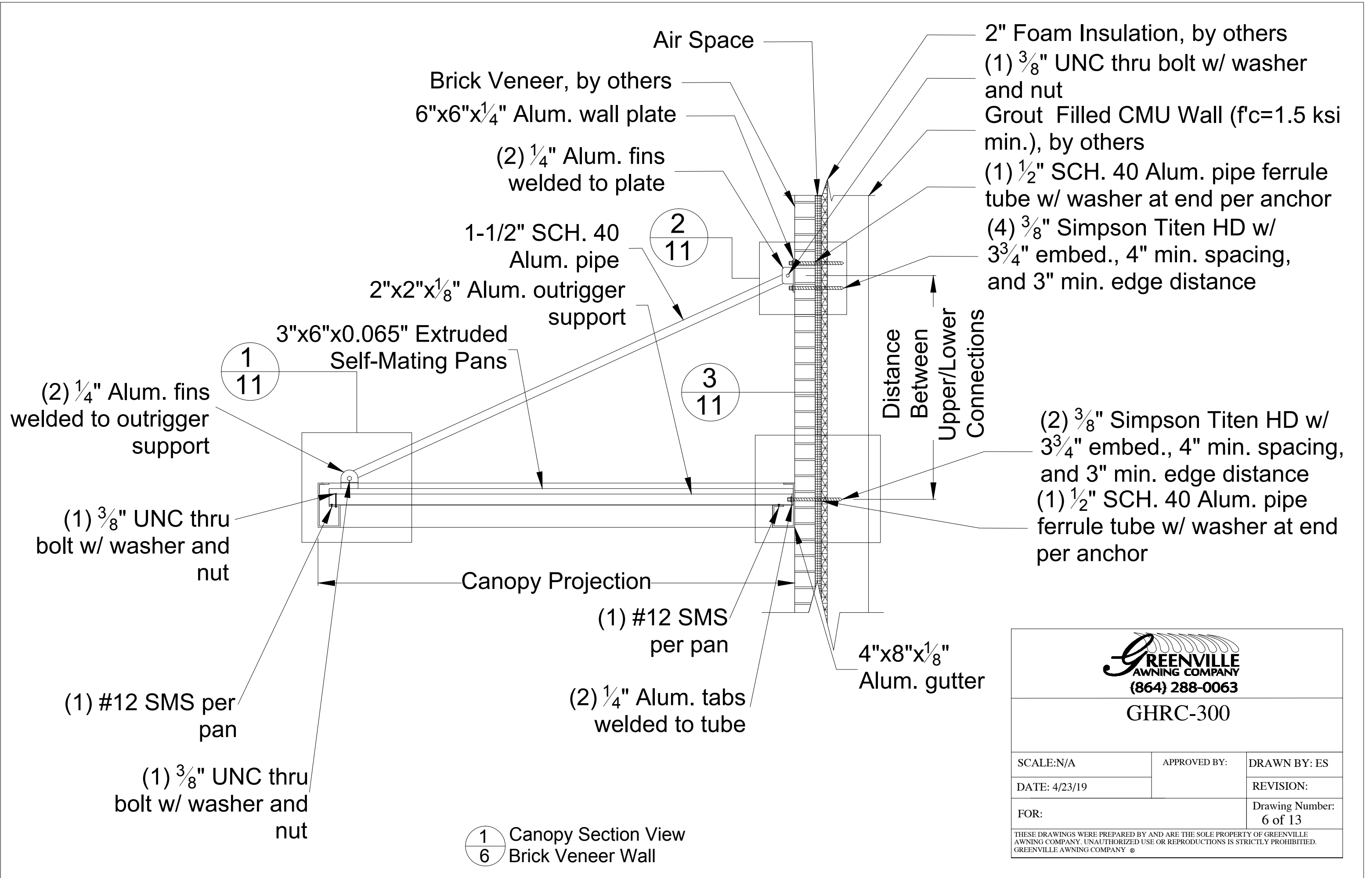
THESE DRAWINGS WERE PREPARED BY AND ARE THE SOLE PROPERTY OF GREENVILLE AWNING COMPANY. UNAUTHORIZED USE OR REPRODUCTIONS IS STRICTLY PROHIBITED. GREENVILLE AWNING COMPANY ©



GHRC-300

SCALE:N/A	APPROVED BY:	DRAWN BY: ES
DATE: 4/23/19		REVISION:
FOR:		Drawing Number: 5 of 13

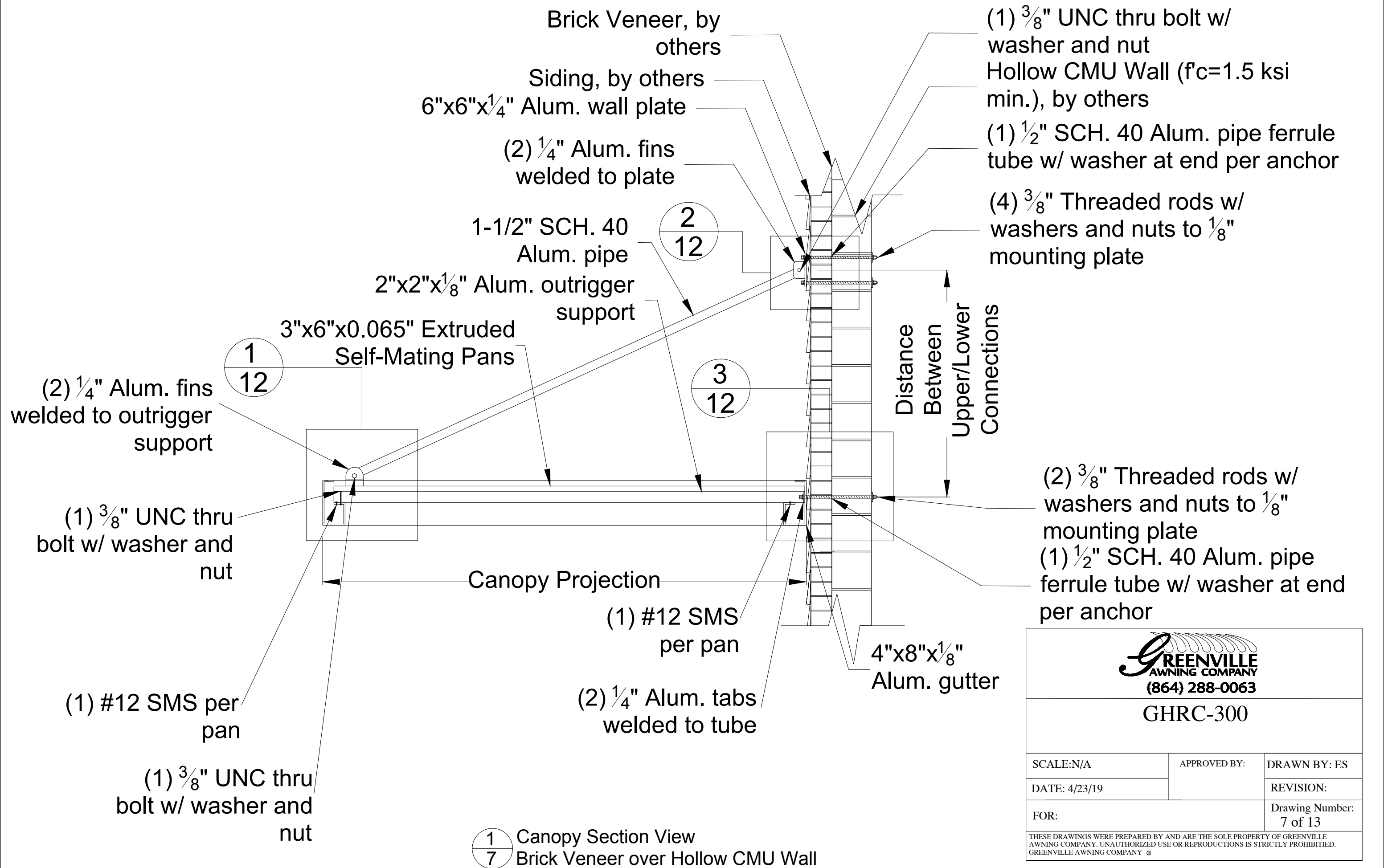
THESE DRAWINGS WERE PREPARED BY AND ARE THE SOLE PROPERTY OF GREENVILLE AWNING COMPANY. UNAUTHORIZED USE OR REPRODUCTIONS IS STRICTLY PROHIBITED. GREENVILLE AWNING COMPANY ©



GHRC-300

SCALE:N/A	APPROVED BY:	DRAWN BY: ES
DATE: 4/23/19		REVISION:
FOR:		Drawing Number: 6 of 13

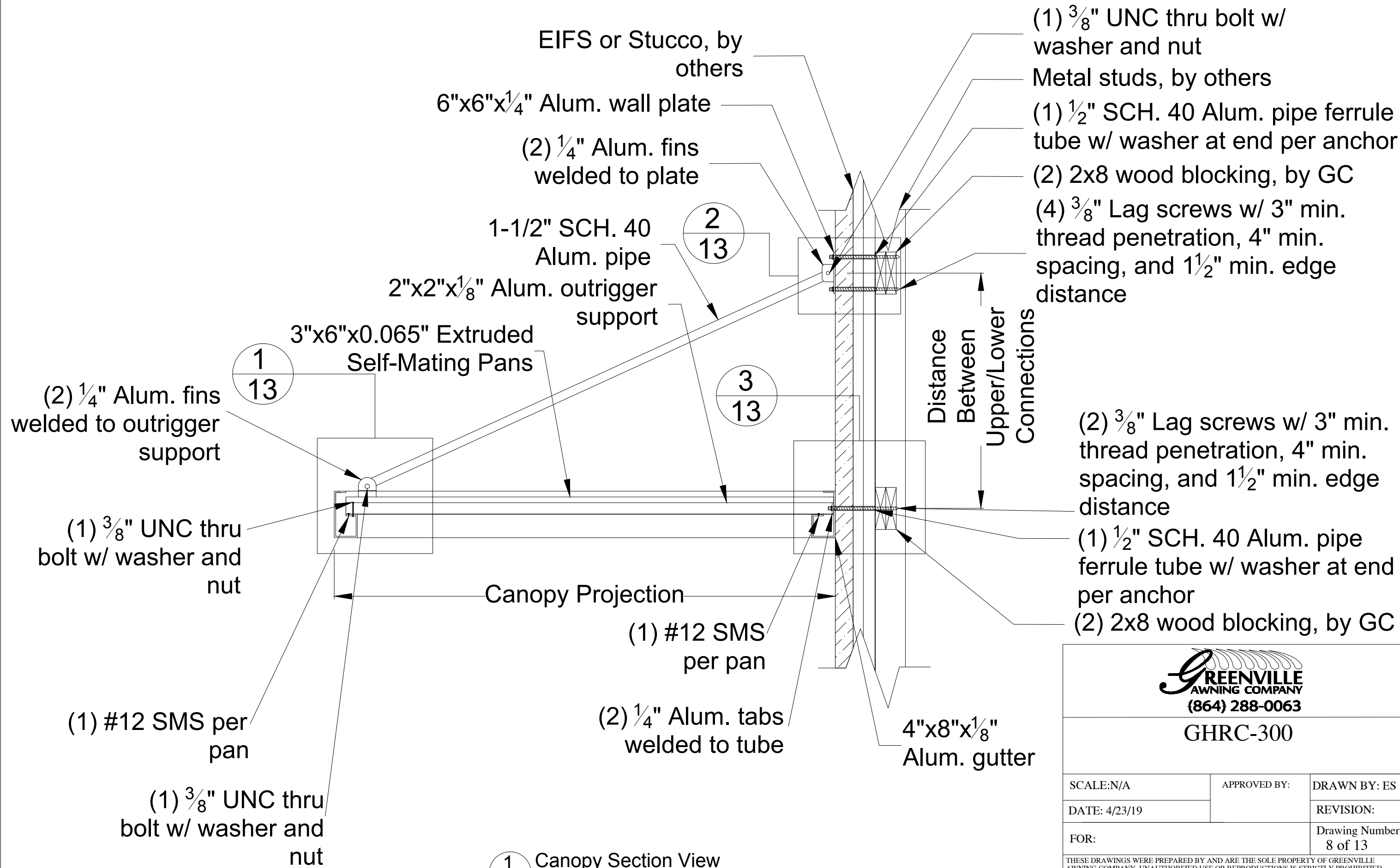
THESE DRAWINGS WERE PREPARED BY AND ARE THE SOLE PROPERTY OF GREENVILLE AWNING COMPANY. UNAUTHORIZED USE OR REPRODUCTIONS IS STRICTLY PROHIBITED. GREENVILLE AWNING COMPANY ©



GHRC-300

SCALE:N/A	APPROVED BY:	DRAWN BY: ES
DATE: 4/23/19		REVISION:
FOR:		Drawing Number: 7 of 13

THESE DRAWINGS WERE PREPARED BY AND ARE THE SOLE PROPERTY OF GREENVILLE AWNING COMPANY. UNAUTHORIZED USE OR REPRODUCTIONS IS STRICTLY PROHIBITED. GREENVILLE AWNING COMPANY ©

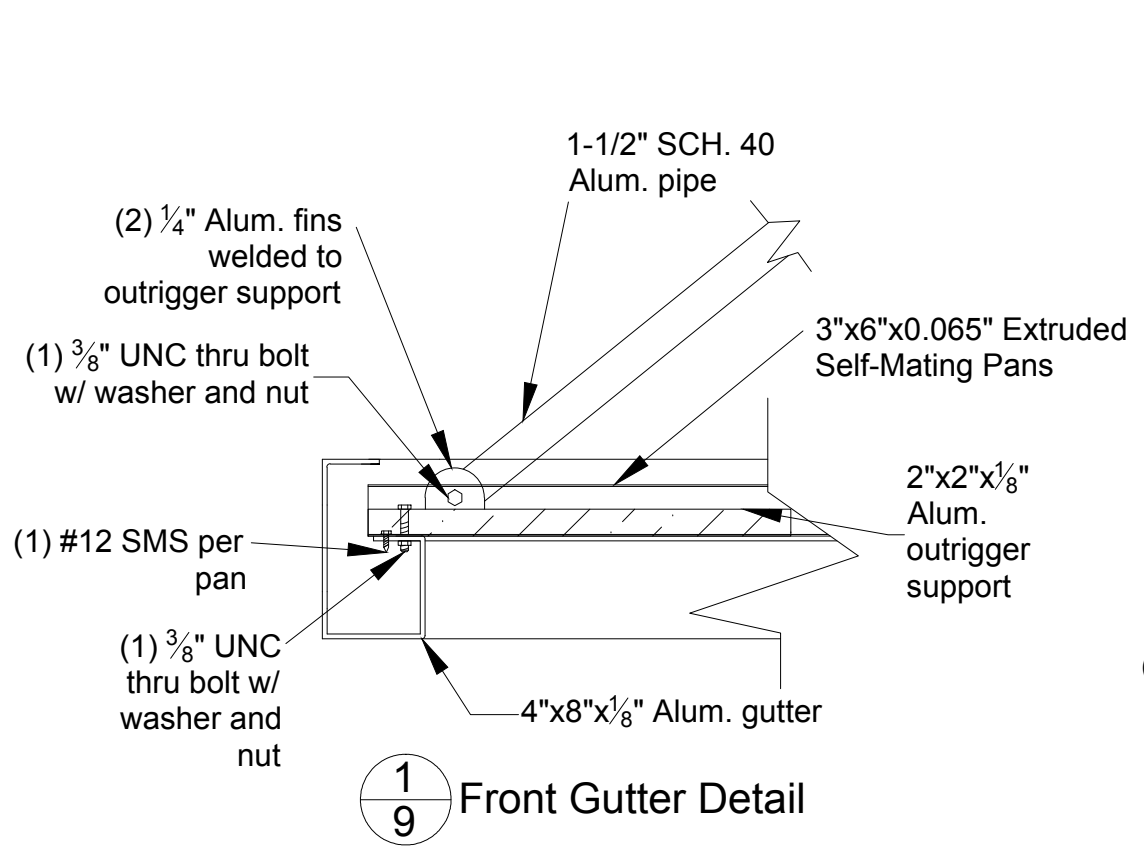


1 Canopy Section View
 8 EIFS or Stucco Wall over Wood Blocking

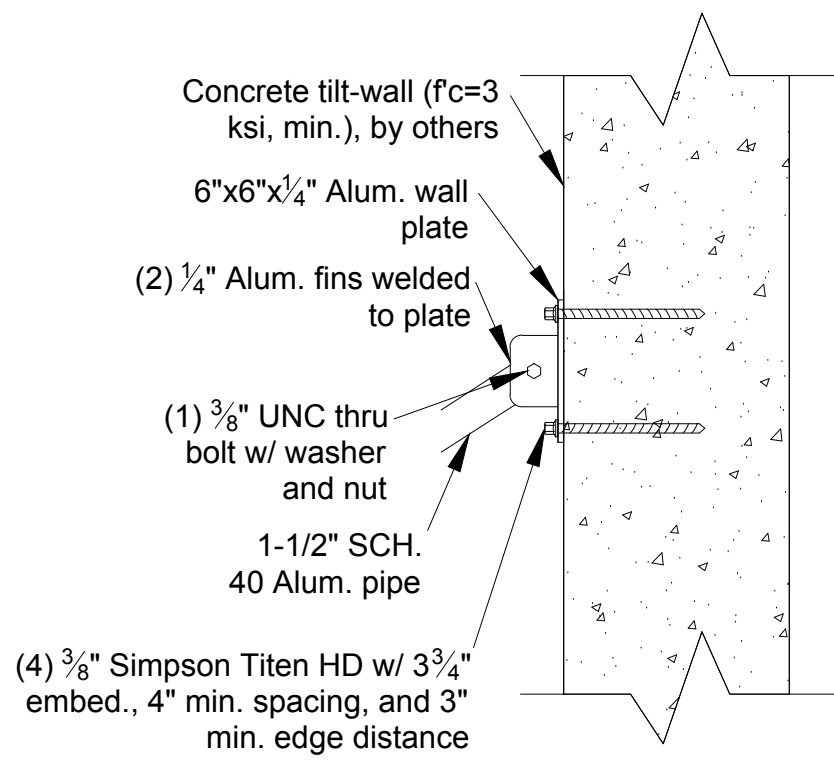
GREENVILLE
 AWNING COMPANY
 (864) 288-0063

GHRC-300

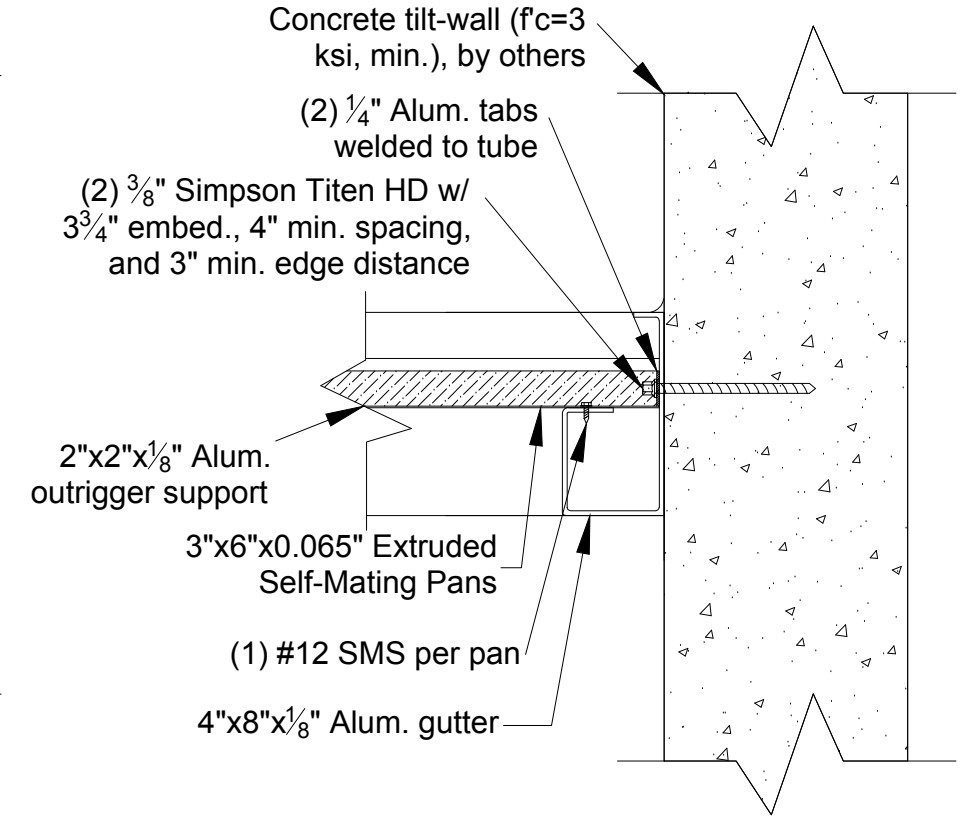
SCALE: N/A	APPROVED BY:	DRAWN BY: ES
DATE: 4/23/19		REVISION:
FOR:		Drawing Number: 8 of 13
THESE DRAWINGS WERE PREPARED BY AND ARE THE SOLE PROPERTY OF GREENVILLE AWNING COMPANY. UNAUTHORIZED USE OR REPRODUCTIONS IS STRICTLY PROHIBITED. GREENVILLE AWNING COMPANY ©		



1/9 Front Gutter Detail



2/9 Wall Bracket Detail



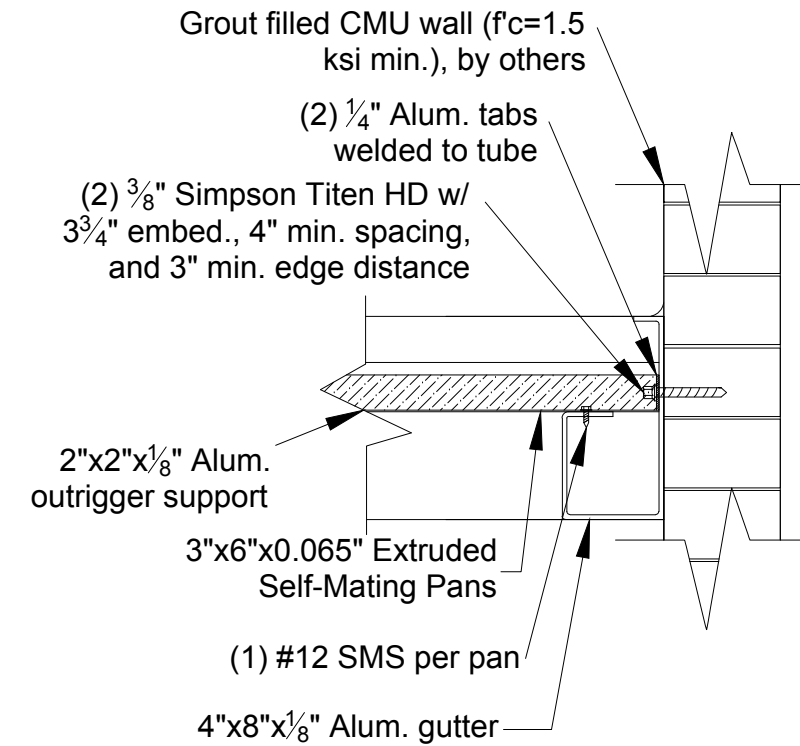
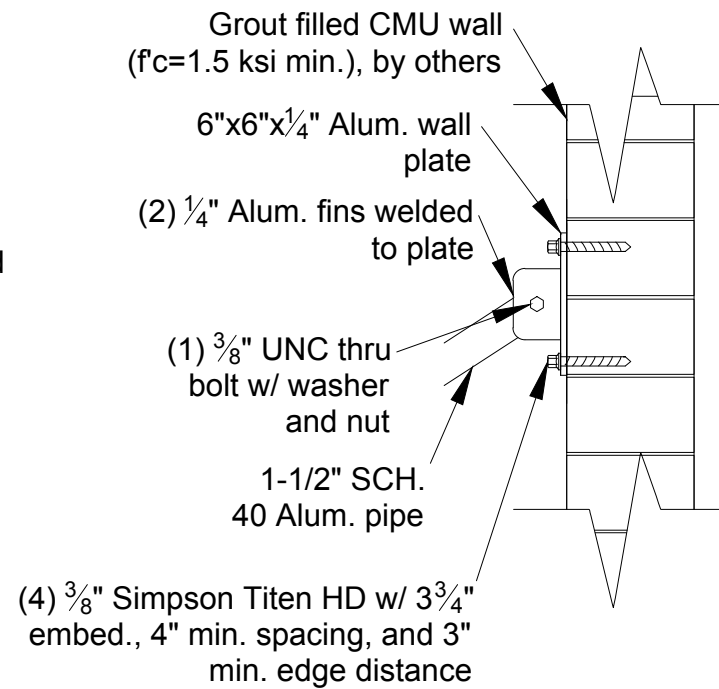
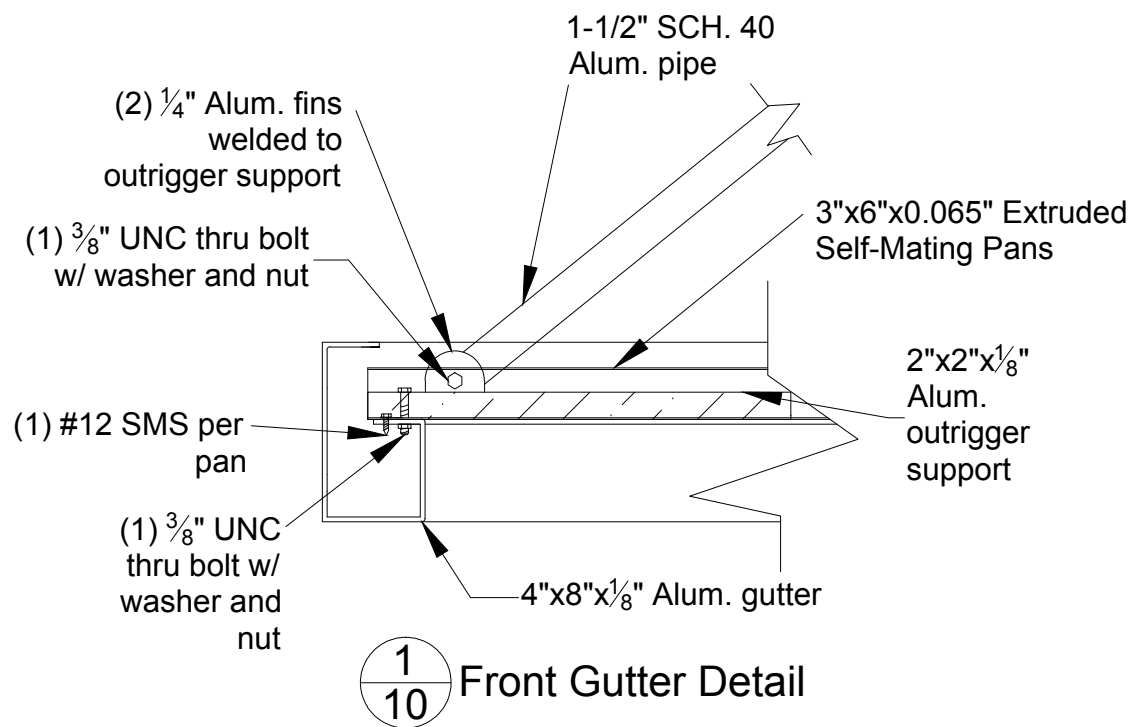
3/9 Rear Gutter Detail



GHRC-300

SCALE:N/A	APPROVED BY:	DRAWN BY: ES
DATE: 4/23/19		REVISION:
FOR:	Drawing Number: 9 of 13	

THESE DRAWINGS WERE PREPARED BY AND ARE THE SOLE PROPERTY OF GREENVILLE AWNING COMPANY. UNAUTHORIZED USE OR REPRODUCTIONS IS STRICTLY PROHIBITED. GREENVILLE AWNING COMPANY ©

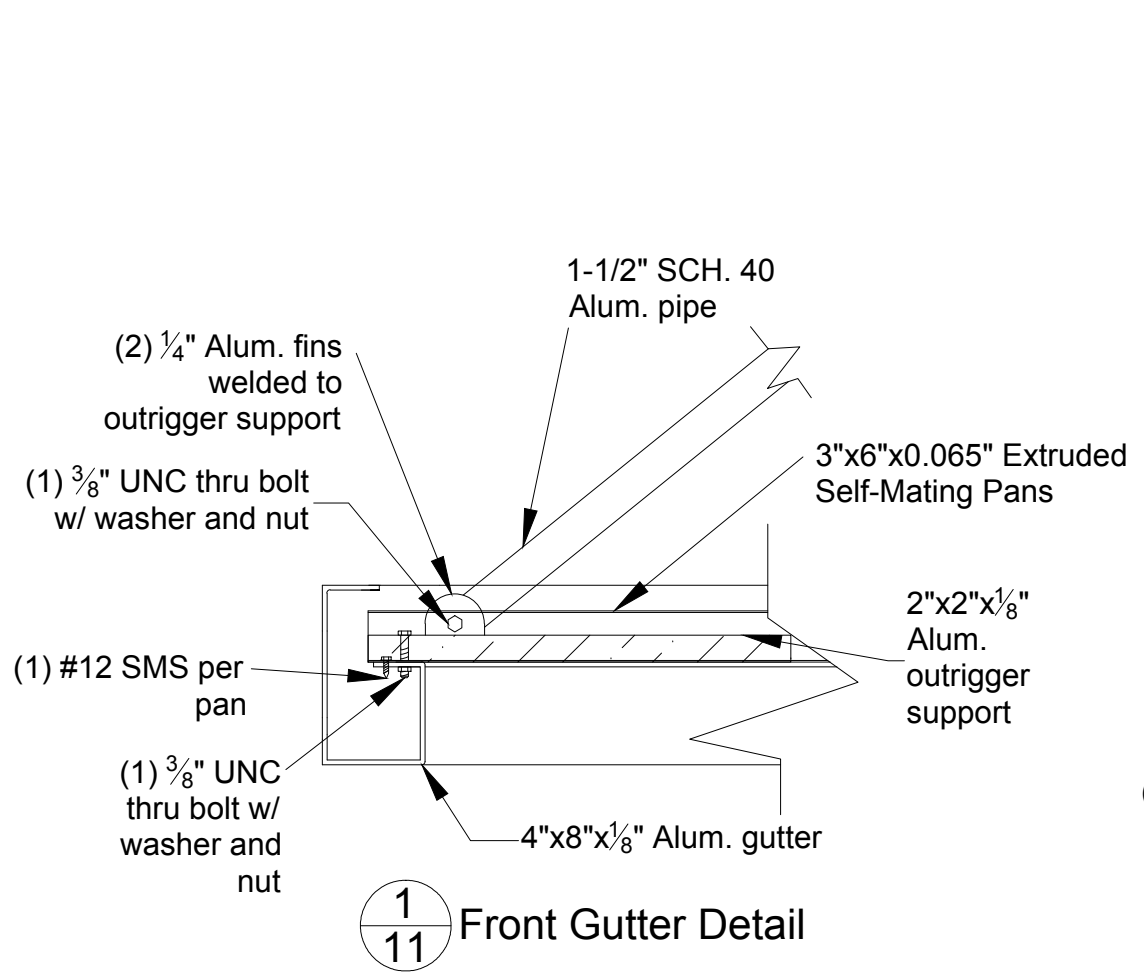


GREENVILLE
AWNING COMPANY
(864) 288-0063

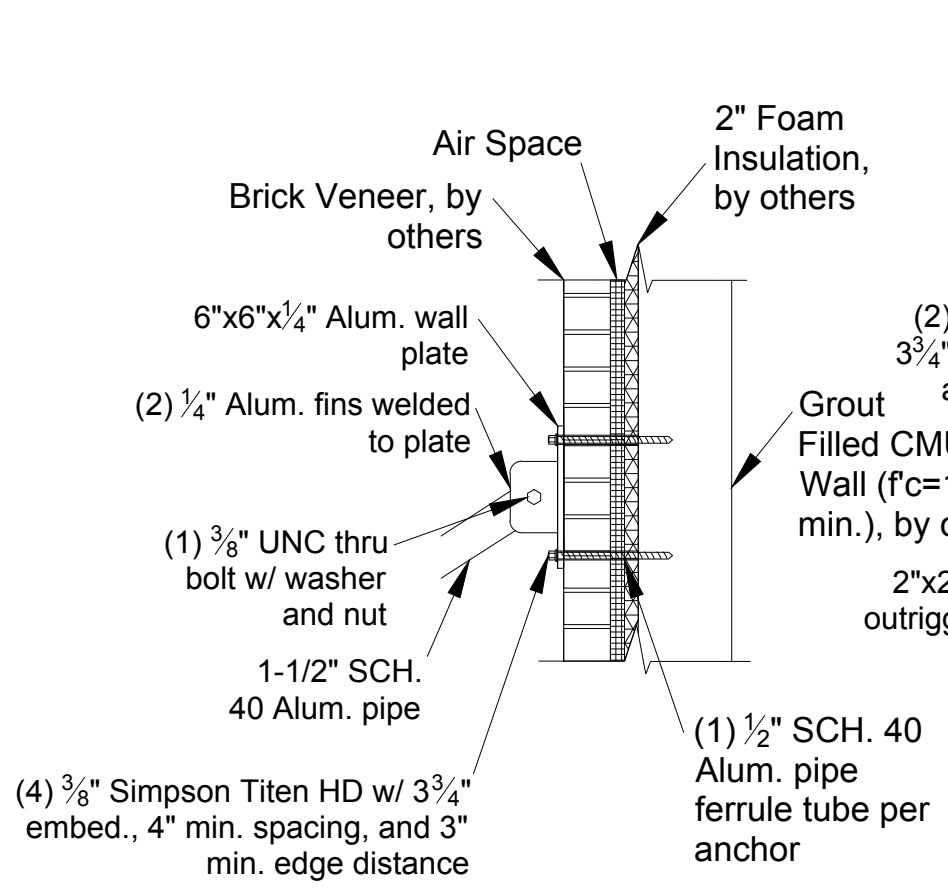
GHRC-300

SCALE:N/A	APPROVED BY:	DRAWN BY: ES
DATE: 4/23/19		REVISION:
FOR:	Drawing Number: 10 of 13	

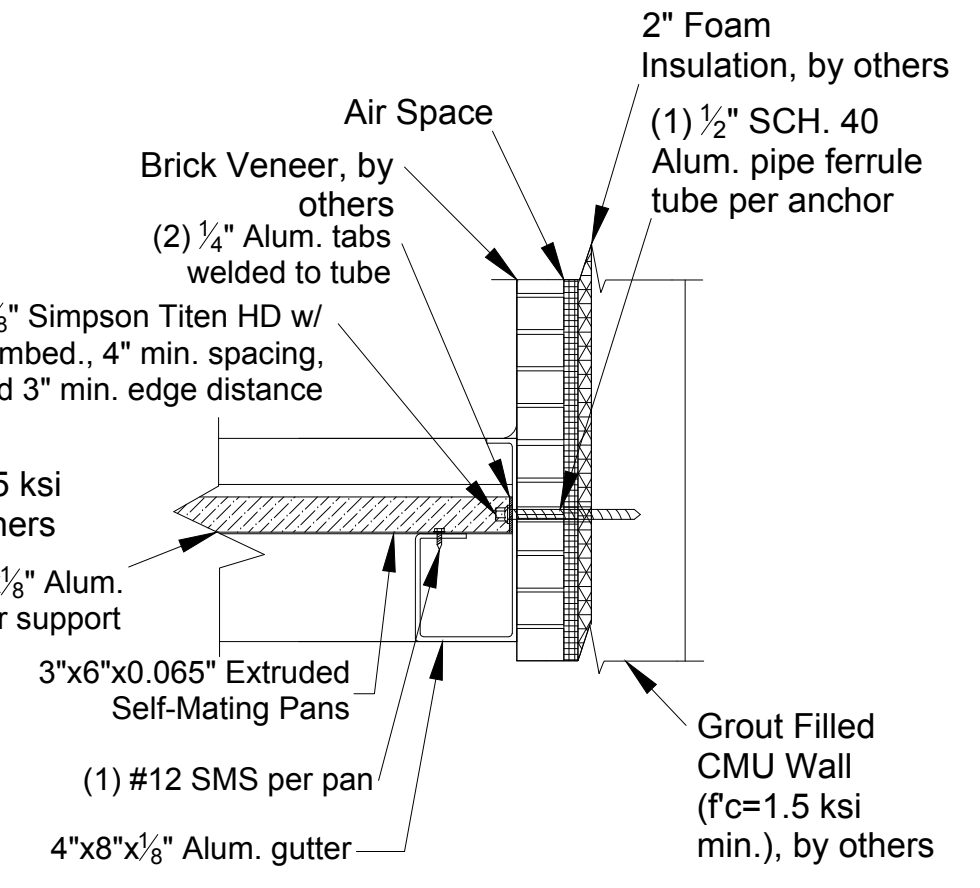
THESE DRAWINGS WERE PREPARED BY AND ARE THE SOLE PROPERTY OF GREENVILLE AWNING COMPANY. UNAUTHORIZED USE OR REPRODUCTIONS IS STRICTLY PROHIBITED. GREENVILLE AWNING COMPANY ©



1/11 Front Gutter Detail



2/11 Wall Bracket Detail



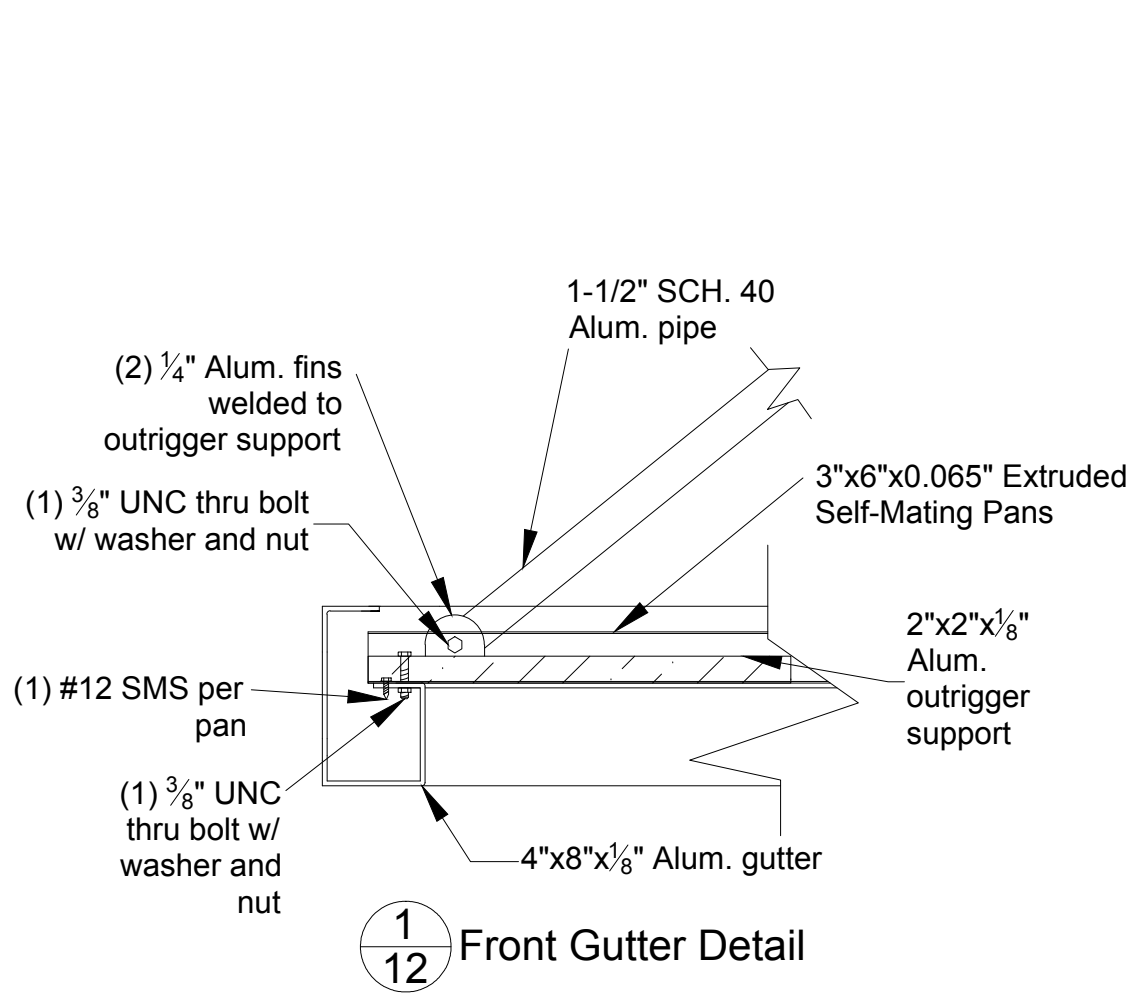
3/11 Rear Gutter Detail



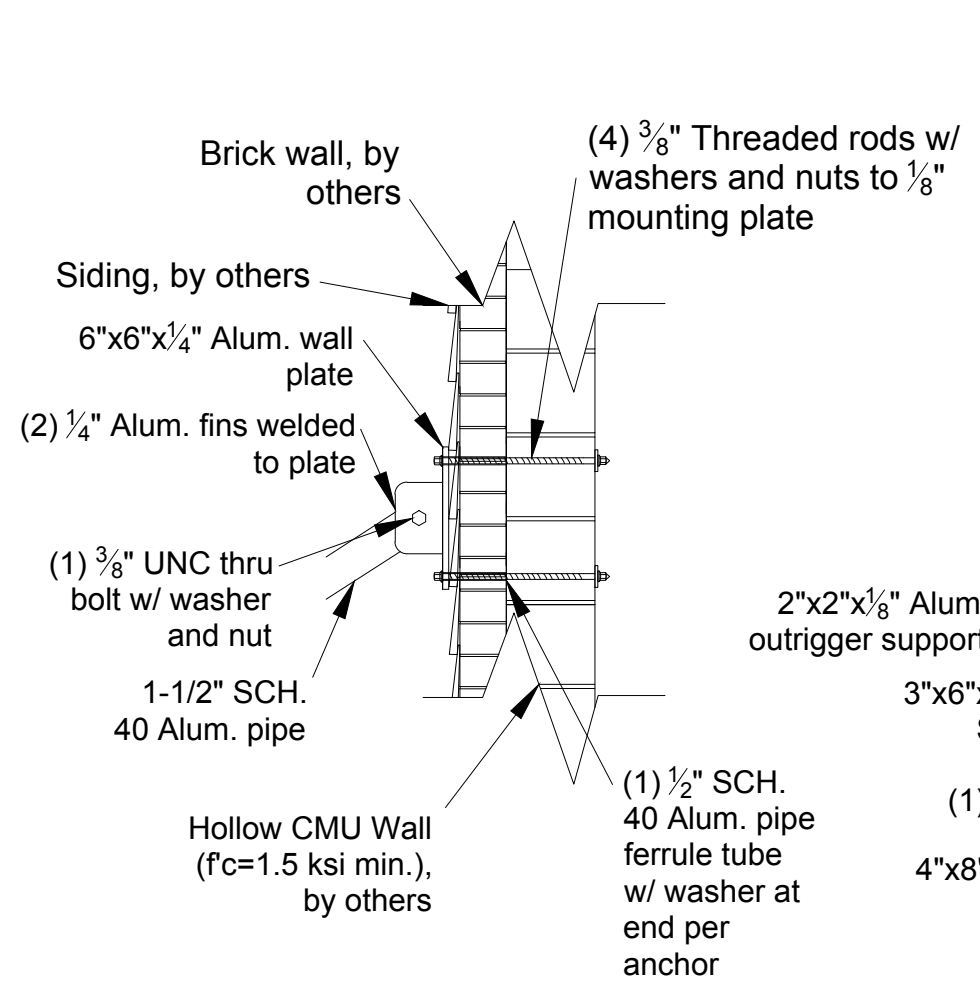
GHRC-300

SCALE:N/A	APPROVED BY:	DRAWN BY: ES
DATE: 4/23/19		REVISION:
FOR:		Drawing Number: 11 of 13

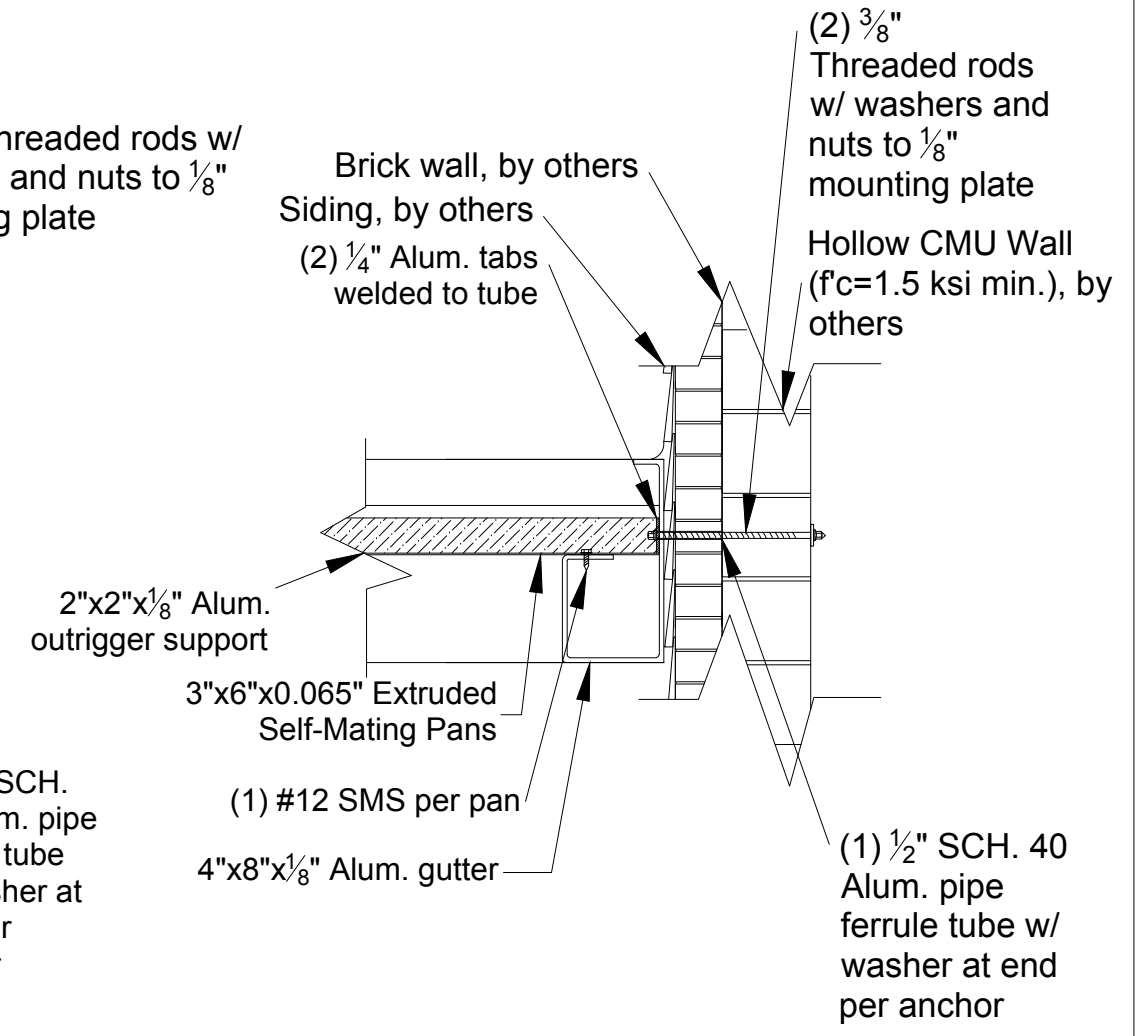
THESE DRAWINGS WERE PREPARED BY AND ARE THE SOLE PROPERTY OF GREENVILLE AWNING COMPANY. UNAUTHORIZED USE OR REPRODUCTIONS IS STRICTLY PROHIBITED. GREENVILLE AWNING COMPANY ©



1/12 Front Gutter Detail



2/12 Wall Bracket Detail



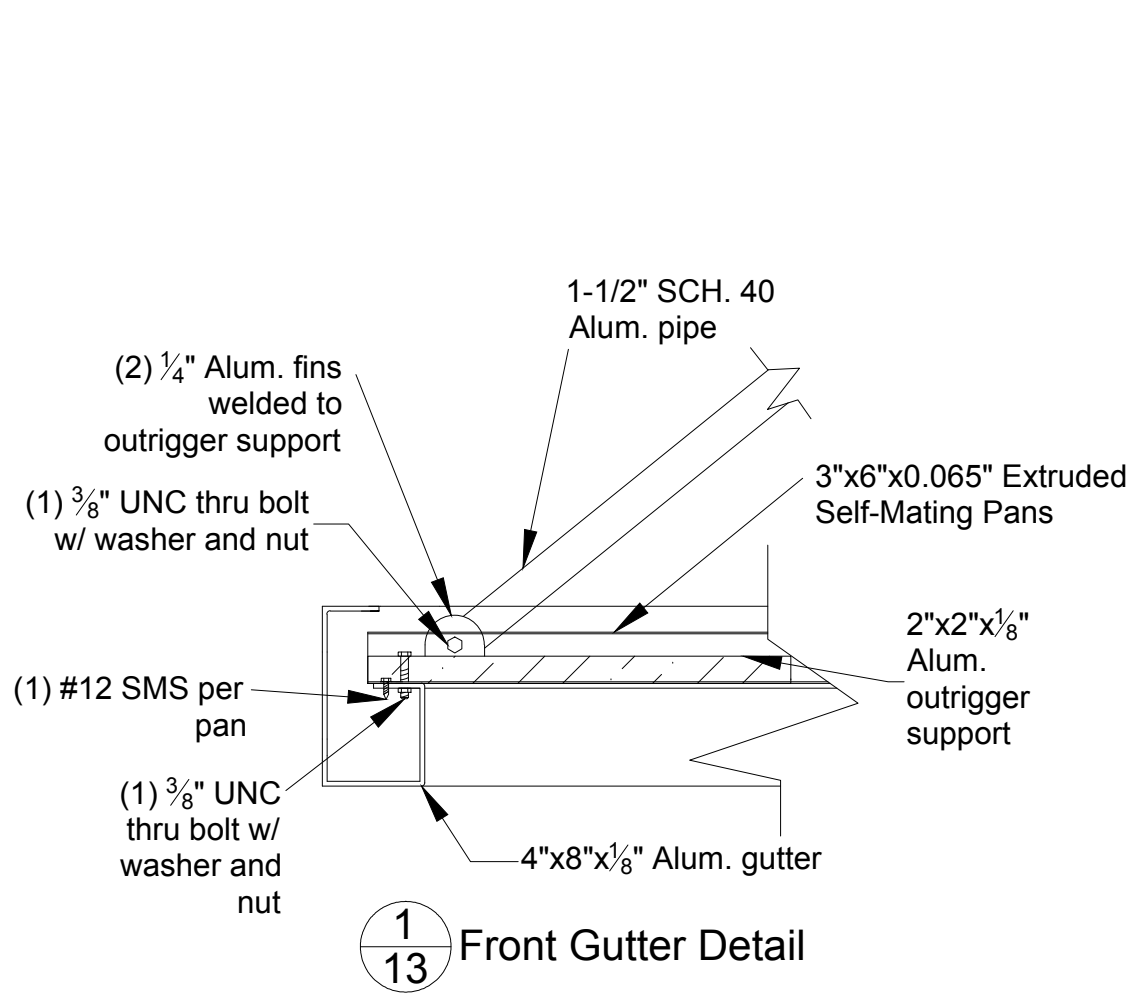
3/12 Rear Gutter Detail



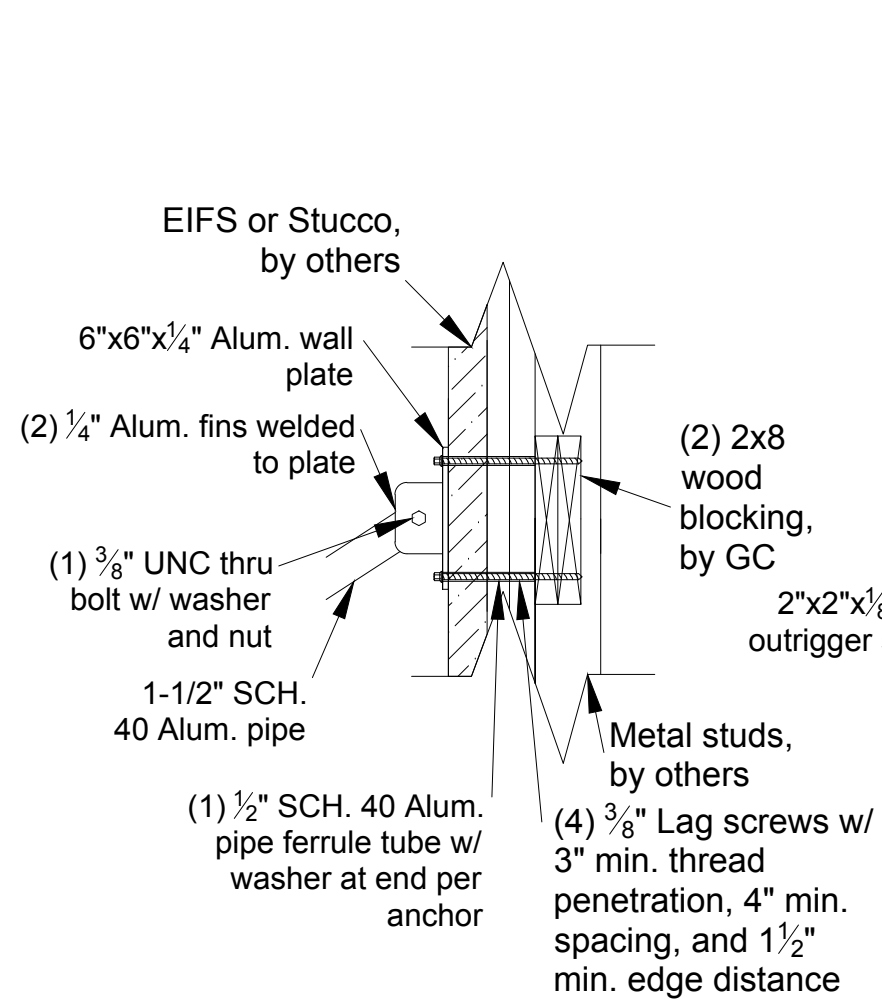
GHRC-300

SCALE:N/A	APPROVED BY:	DRAWN BY: ES
DATE: 4/23/19		REVISION:
FOR:		Drawing Number: 12 of 13

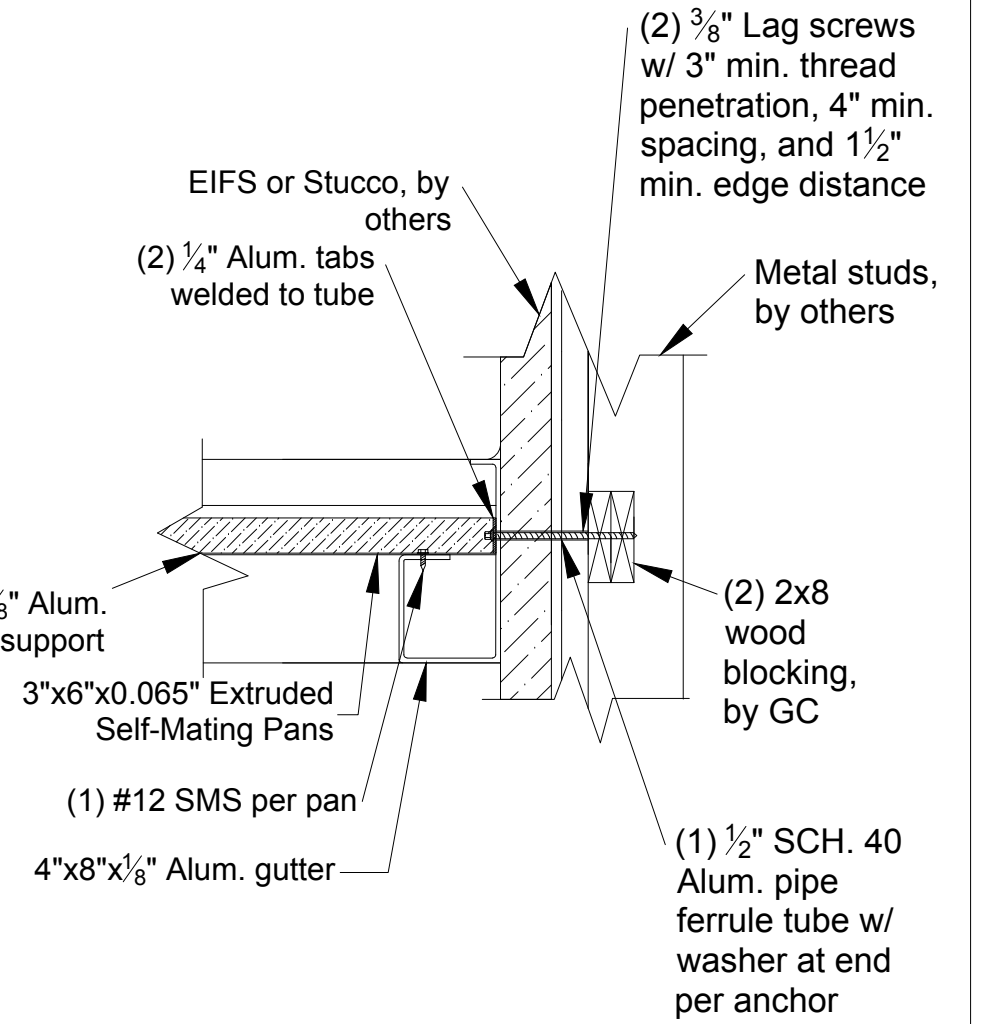
THESE DRAWINGS WERE PREPARED BY AND ARE THE SOLE PROPERTY OF GREENVILLE AWNING COMPANY. UNAUTHORIZED USE OR REPRODUCTIONS IS STRICTLY PROHIBITED. GREENVILLE AWNING COMPANY ©



1/13 Front Gutter Detail



2/13 Wall Bracket Detail



3/13 Rear Gutter Detail



GHRC-300

SCALE:N/A	APPROVED BY:	DRAWN BY: ES
DATE: 4/23/19		REVISION:
FOR:		Drawing Number: 13 of 13

THESE DRAWINGS WERE PREPARED BY AND ARE THE SOLE PROPERTY OF GREENVILLE AWNING COMPANY. UNAUTHORIZED USE OR REPRODUCTIONS IS STRICTLY PROHIBITED. GREENVILLE AWNING COMPANY ©